



INSTALLATION INSTRUCTIONS

The **dorky** will add to the amount of cubic ft. you can load and improve efficiency, when used properly. The **dorky** replaces the E-track in the truck with a secured floating E-track that allows the doors to remain totally accessible while using The Iron Curtain, The Movers Plank, logistic bars and straps. These are examples of how to use it properly.

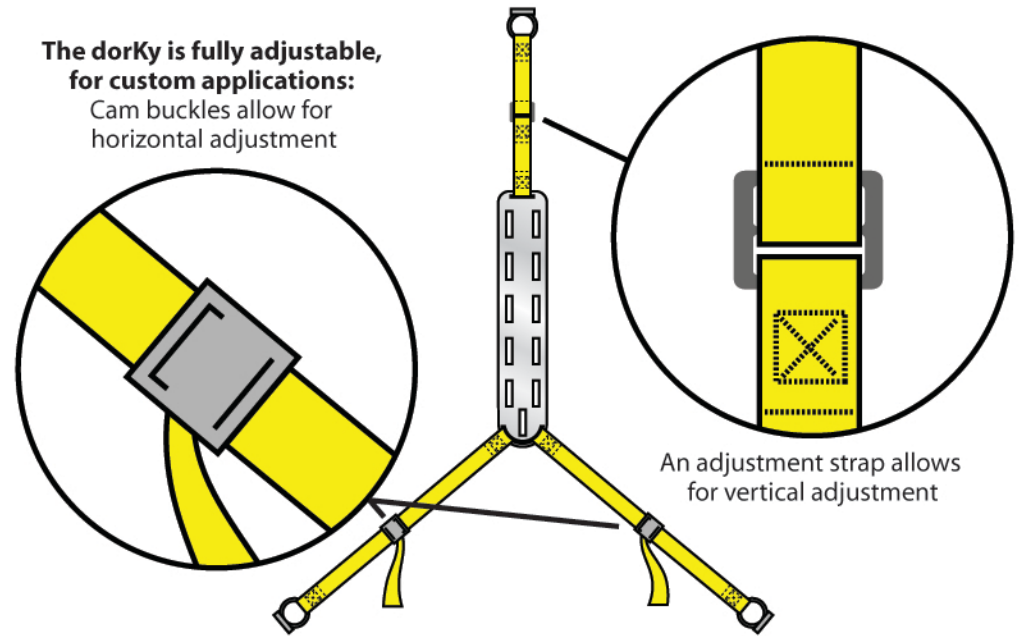
A. Adjust top strap to the desired length and install the E-clip into the header over the door.

B. Adjust bottom straps and install the E-clip into the E-track on either side of the door or the door that opens second.

C. Pull straps on the cam buckles to tighten, then install The Iron Curtain, straps, The Movers Plank, or logistic bars into the E-track on the dorky.

If you would like a quote for your fleet or just a single van, please visit www.MoversProducts.com and select "Contact Us". We will be in touch with you directly.

The **dorky** is fully adjustable, for custom applications: Cam buckles allow for horizontal adjustment



The dorky creates a secure, floating E-track, allowing doors to remain fully accessible

1. The **dorky** can be used with Alanann's IRON CURTAIN to create a retaining wall and keep loads separated, even when a load ends at the side doors.

2. The **dorky** can be used with The IRON CURTAIN and MOVER'S PLANK to create sturdy and secure tiers, maximizing lbs per cubic ft while maintaining access to the doors.

3. The **dorky** can be used with logistic bars to create custom tiers for decking over bulky items such as a vehicle or riding mower, allowing you to properly load over these items, increasing your lbs./ft³.

4. The **dorky** is fully adjustable, allowing movers to safely secure loads using standard straps while retaining full use of all doors, regardless of where the loads end.

